

# SHARP

Be Original.

**BP-20M31/20M28**  
**BP-20M24/20M22**

Digital Multifunctional System

## A Speedy Network-Ready MFP for the Upwardly Mobile Office



# Flexible document power for your office

The way we work is changing. We're working from home, sharing workspaces, and learning new ways to connect. So when it comes to printing, copying, and scanning documents, you need a solution that's as flexible as the way you work. An MFP that everyone on your team can use intuitively and securely. One that streamlines your workflow, both in the office and outside. What you need is a smart MFP like this.



## FASTER RESULTS



### Automatic Document Feeding

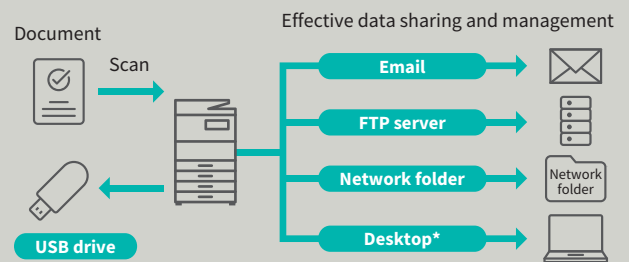
An RSPF (reversing single pass feeder) efficiently feeds in up to 100 sheets of either one- or two-sided originals at a scanning speed of up to 37 opm\* (one-sided) for both colour and B/W documents.

\*Originals per minute; when feeding A4 (8 1/2" x 11") sheets



### Multiple Scan Destinations

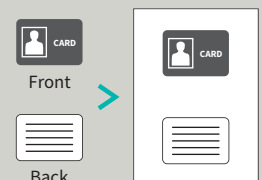
There are many ways to distribute scanned documents. They can be sent to an FTP server, to a network folder, or to a USB drive. Or they can be sent directly to a designated PC desktop\* or as email attachments. You can register up to 200 scan destinations.



\*Requires Network Scanner Tool Lite.

### Handy ID Card Copying

The MFP has a dedicated key for easy copying of both sides of a card (e.g., an ID or credit card) onto a single page.



### Quick MFP Status Check

On the control panel are two LED lamps: one red, one green. These light up to notify you—even from a distance—that, for example, the machine is “now printing” or “out of paper.”



Status lamps



## EASIER CONNECTION



### Wireless Connectivity\*

The MFP offers ultra-handry wireless access, enabling convenient access to the MFP even from places where it's difficult to connect a LAN cable.

\*Requires optional MX-EB18. Availability of this option varies by country/region.

### Safe and Secure

Built-in security features keep your information safe, whether it's on your device or over your network. User authentication restricts access to the MFP by requiring a password. Up to 30 users can be registered in this way.

## Link with Mobile Devices\*<sup>1</sup>

### Sharpdesk Mobile\*<sup>2</sup>

With the Sharpdesk Mobile print/scan application, you can import documents scanned on the MFP to your mobile device for previewing and saving. Files on your mobile device can be printed out on the MFP, sent as email attachments, or used in other applications. Pairing your mobile device to the MFP can be done by simply scanning a QR Code<sup>®</sup> printed out from the MFP.



### AirPrint-Enabled\*<sup>3</sup>

The MFP supports the AirPrint printing feature in Apple's iOS and macOS operating systems. AirPrint automatically detects MFPs and printers on the same network. It then lets you print directly from a mobile device without the need for a printer driver.

\*1: Requires wireless connection or optional MX-EB18. Availability of this option varies by country/region.

\*2: Availability varies by country/region. For details, see the support website:

[https://global.sharp/products/copier/docu\\_solutions/mobile/sharpdesk\\_mobile/](https://global.sharp/products/copier/docu_solutions/mobile/sharpdesk_mobile/)

\*3: Requires optional MX-PK11.

## GREATER EASE



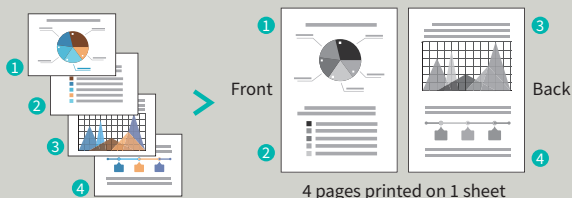
### Energy Efficient

This MFP conforms to the ENERGY STAR<sup>®</sup> programme. To reduce power consumption, Sharp has applied its advanced technologies across all areas of this MFP. Energy-saving functions include a low power consumption of only 0.5 W in network standby mode.

Standby power consumption  
**0.5w**

### Printing Two Pages on One Sheet

Duplex printing allows printing on both sides of a sheet of paper. The MFP can also print two pages of content on the same side of a sheet of paper. Using both of these functions at the same time lets you print four pages on one sheet.



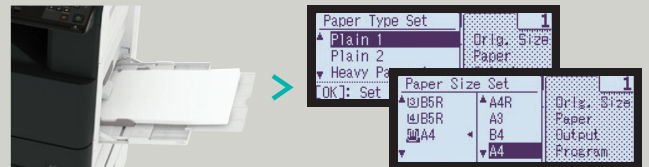
### PC-Less Print and Scan

Insert a USB drive into the front port and a command screen will automatically pop up on the LCD. Right away you can print files from the USB drive or scan documents directly to the USB drive.



### Quick and Easy Paper Setting

When you feed paper into the multi bypass tray, a paper setting window pops up automatically on the LCD control panel. You don't need to manually call up the setting screen.



### Easy-View Control Panel

The MFP's control panel is easy to view and easy to use. Along with function icons and large buttons, it features a 5-line LCD with backlight. Job Program and Scanner Program Keys let you register common functions and settings for easy, one-touch recall. No need to adjust the settings each time you use the MFP.

**SPECIFICATIONS**

**General**

Type	Desktop
Engine speed	A4 (8 1/2" x 11") <sup>*1</sup> : Max. 31/28/24/22 ppm A3 (11" x 17") <sup>*1</sup> : Max. 17/17/12 (11)/12 (11) ppm
Control panel display	5-line LCD
Paper size	Max. A3 (11" x 17"), min. A6 <sup>*2</sup> (5 1/2" x 8 1/2")
Paper capacity (80 g/m <sup>2</sup> )	[BP-20M31/20M28] Standard: 1,100 sheets (2 x 500-sheet tray and 100-sheet multi bypass tray) Maximum: 2,100 sheets (1,100 sheets & optional 2 x 500-sheet tray) [BP-20M24/20M22] Standard: 350 sheets (250-sheet tray and 100-sheet multi bypass tray) Maximum: 1,850 sheets (350 sheets & optional 3 x 500-sheet tray)
Paper weight	Tray 1: 60 g/m <sup>2</sup> to 105 g/m <sup>2</sup> (16 lbs bond to 28 lbs bond) Trays 2-4: 60 g/m <sup>2</sup> to 200 g/m <sup>2</sup> (16 lbs bond to 110 lbs index) Multi bypass tray: 55 g/m <sup>2</sup> to 200 g/m <sup>2</sup> (13 lbs bond to 110 lbs index)
Warm-up time <sup>*3</sup>	BP-20M31/20M28: 20 sec. BP-20M24/20M22: 25 sec.
Memory	1 GB (copy/print shared)
Power requirements	Rated local AC voltage ±10%, 50/60 Hz
Power consumption	BP-20M31/20M28: Max. 1.45 kW BP-20M24/20M22: Max. 1.2 kW
Dimensions (W x D x H)	BP-20M31/20M28: 599 x 608 x 743 mm (23 19/32" x 23 15/16" x 29 11/16") BP-20M24/20M22: 599 x 608 x 643 mm (23 19/32" x 23 15/16" x 25 21/64")
Weight (approx.)	BP-20M31/20M28: 42 kg (92.6 lbs) BP-20M24/20M22: 34 kg (74.6 lbs)

**Copier**

Original paper size	Max. A3 (11" x 17")
First copy time <sup>*4</sup>	BP-20M31/20M28: 5.2 sec. BP-20M24/20M22: 6.4 sec.
Continuous copy	Max. 999 copies
Resolution	Scan: 400 x 600 dpi Print: 600 x 600 dpi
Gradation	Equivalent to 256 levels
Zoom range	25% to 400% (25% to 200% using RSPF) in 1% increments
Preset copy ratios	Metric: 10 ratios (5R/5E), inch: 8 ratios (4R/4E)

**Scanner**

Scan method	Push scan (via control panel) Pull scan (TWAIN-compliant application)
Scan speed <sup>*5</sup>	Colour & B/W: Max. 37 originals/min.
Resolution	Push scan: 100, 150, 200, 300, 400, 600 dpi <sup>*6</sup> Pull scan: 75, 100, 150, 200, 300, 400, 600 dpi 50 dpi to 9,600 dpi via user setting <sup>*7</sup>
File formats	TIFF, PDF, JPEG <sup>*8</sup>
Scan destinations	Scan to email/desktop <sup>*9</sup> /FTP server/network folder (SMB)/USB drive

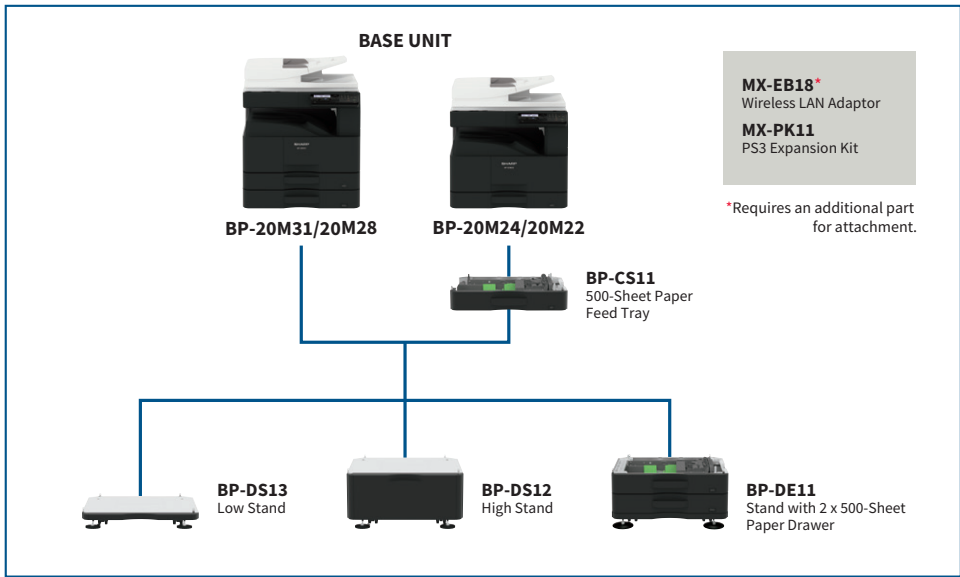
**Printer**

Resolution	600 x 600 dpi
Interface	USB 2.0 (host, high-speed), 10Base-T/100Base-TX/1000Base-T, wireless LAN (IEEE 802.11 b/g/n) <sup>*10</sup>
Supported OS <sup>*11</sup>	Windows Server <sup>®</sup> 2012, Windows Server <sup>®</sup> 2012 R2, Windows Server <sup>®</sup> 2016, Windows Server <sup>®</sup> 2019, Windows <sup>®</sup> 8.1, Windows <sup>®</sup> 10, Mac OS 10.9, 10.10, 10.11, 10.12, 10.13, 10.14, 10.15
Network protocols	TCP/IP
Printing protocols	LPR, Raw TCP (port 9100), FTP for downloading print files, IPP, SMB, WSD
PDL	Standard: PCL 6 emulation Option: PostScript <sup>®</sup> 3 <sup>™</sup> emulation
Available fonts	80 fonts for PCL, 136 fonts for PostScript 3 emulation

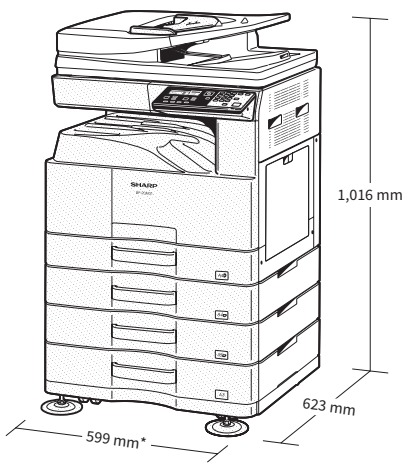
\*1: Long-edge feeding. \*2: Short-edge feeding only. \*3: In a standard measurement environment. May vary depending on operating conditions and environment. \*4: Long-edge feeding of A4 (8 1/2" x 11") sheets from 1st paper tray. May vary depending on operating conditions and environment. \*5: Scan speed will vary depending on the type of document and the scan settings. Based on Sharp's A4 standard chart, using document feeder, long-edge feeding, one-sided scanning, and factory default settings. \*6: 600 x 600 dpi scanning available up to A4 (8 1/2" x 11") size. \*7: Resolution will vary depending on the size of the scanned area. \*8: Colour/greyscale only. \*9: Requires Network Scanner Tool Lite. \*10: Requires optional MX-EB18. Availability of this option varies by country/region. \*11: Requires optional MX-PK11 for Mac OS.

• Design and specifications are subject to change without prior notice.  
• ENERGY STAR is a registered trademark owned by the US Environmental Protection Agency. The ENERGY STAR guidelines apply to products only in the US, Canada, and Japan.  
• QR Code is a registered trademark of DENSO WAVE INCORPORATED in Japan and other countries.  
• AirPrint, Apple, macOS, and Mac are trademarks of Apple Inc., registered in the US and other countries. Windows and Windows Server are registered trademarks of Microsoft Corporation in the US and/or other countries. PCL is a registered trademark of Hewlett-Packard Company. PostScript 3 is either a registered trademark or trademark of Adobe in the US and/or other countries. All other brand names and product names may be trademarks or registered trademarks of their respective owners.

**SYSTEM CONFIGURATION**



Certain optional equipment may not be available in some areas.



\*Including adjuster. 909 mm when multi bypass tray is extended.

Shown with optional equipment.